

Spa Electrical Requirements

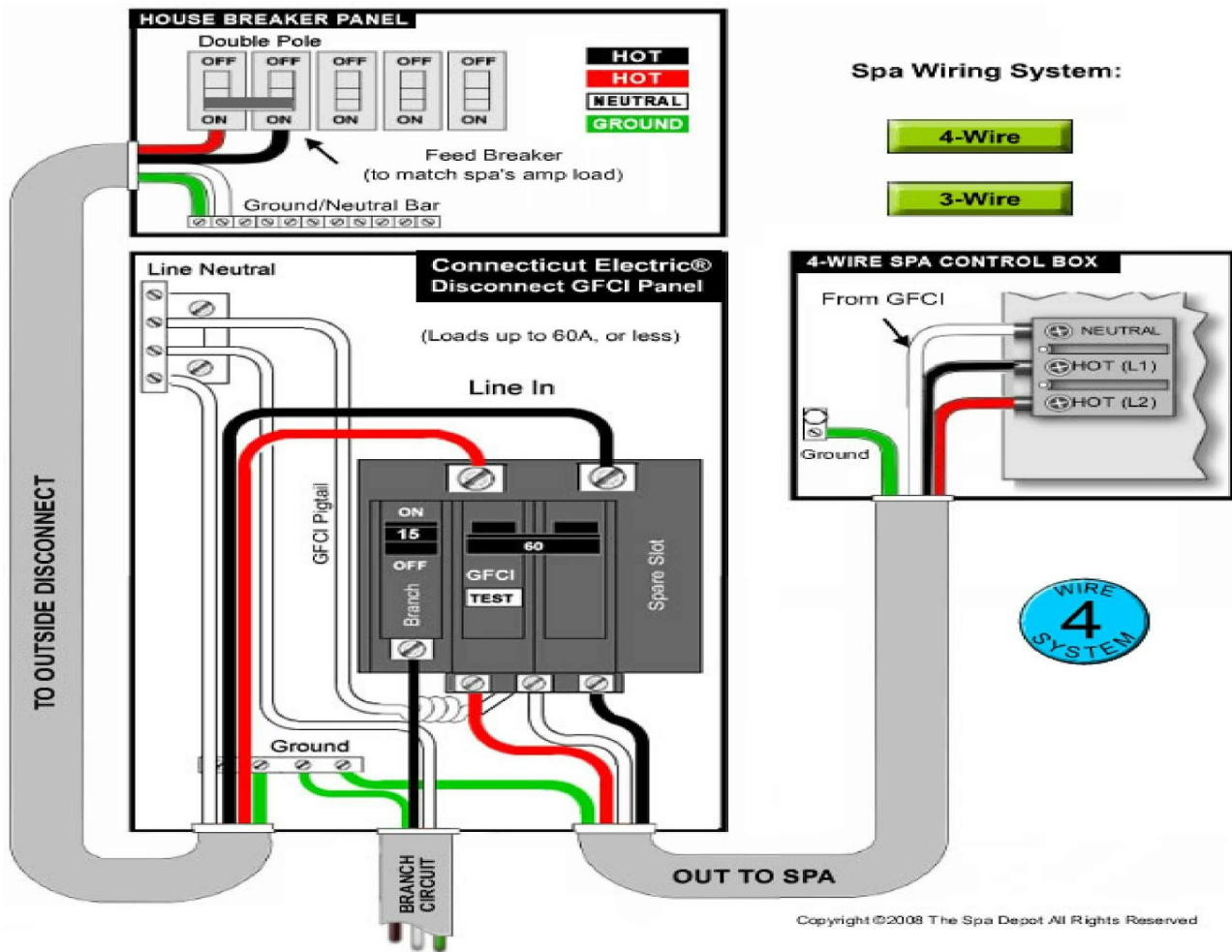
If we are delivering and installing a hot tub for you, we require that the electrical service be run and **completed in its entirety prior to our arrival** (so that we may fully install, test, and run the hot tub, and provide an orientation **on the day of delivery**.) This means that the breaker, GFCI and electrical line **will be run all the way** to where the hot tub will be placed so that we can connect your existing wire to the hot tub.

****Unless otherwise previously arranged, we DO NOT provide any electrical wiring. The electrician or the homeowner should run the wire as if the hot tub were already in place.****

We strongly suggest that your hot tub be wired for **220V**. Certain hot tubs are convertible, meaning they can be wired either 110V or 220V, and we highly recommend 220V. The primary advantages are: lower operating costs, more energy efficiency, your hot tub actually heats quicker, and you are able to maintain the desired temperature even in the winter months.

GFCI protection is essential. In simple terms, the purpose of a GFCI is to protect the users of the hot tub as well as the hot tub equipment from an electrical surge, an electrical short, or in the event of water and electricity coming into direct contact with one another.

Below is a picture to help you and/or your electrician understand how the electrical service should be run. It should be a 220v, 4-wire service with a 50 amp GFCI protection and copper only.





This is an incomplete installation and is not acceptable for the day of delivery. The line to the spa is missing. See below two examples of this line, which is called the whip.



These two pictures are an example of a whip. This is required to be in place on the day of delivery so that we can place the hot tub and attach the whip to the spa in order to test and run it.

We DO NOT provide the whip. The whip is usually 16' to 20' long. The whip must extend 5' past the furthest point of the hot tub.