

Sundance® Spas 680 Alicia™

Specifications

| | | |
|--|---|---|
| Dimensions | 80" x 69" x 33" (203 cm x 175 cm x 84 cm) |  |
| Seating Capacity | 2-3 Adults | |
| Dry Weight | TBD lbs (TBD kg) | |
| Filled Weight (Spa Volume) | TBD lbs (TBD kg) | |
| Filled Weight (Average Fill) | TBD lbs (TBD kg) | |
| Water Capacity (Spa Volume) | TBD US gallons (TBD Liters) | |
| Water Capacity (Average Fill) | TBD US gallons (TBD Liters) | |
| Electronic Controls | Solid state electronic controls with LCD readout, programmable temperature, filtration, and heat cycles | |
| Pump 1 | North America (60 Hz): 2-Speed, 2.5 HP brake, 1.5 HP continuous, 48 Frame Export: (50 Hz): 2-Speed, 2.0 HP continuous | |
| Total Hydrojets: | 21 | |
| Seat A Jets: | 6 - SLR | |
| Seat B Jets: | 1 - SLR, 8 - SL | |
| Seat C Jets: | 4 - SL3R | |
| Footwell (D) Jets: | 2 - SLR | |
| Air Controls/Massage Selectors: ... | 1/None | |
| Filter: | 75 ft ² MicroClean® Mini™ Filter Cartridge System | |
| Water Treatment: | Factory installed CLEARRAY® unit | |
| Lighting: | LED Lighting System (Interior Surround); 2 Standard Exterior Lights | |
| Cabinet: | Available in Slate, Graphite | |
| Shell Colors: | Platinum, Celestite (Gypsum), Monaco, Midnight, Porcelain | |
| Headrest: | Three, 1-piece gray | |
| Heater: | North America (60 Hz): High Flow, 1 kW@120 VAC or Convertible to 4 kW@240 VAC; Export: (50 Hz): High Flow, 2.7 kW | |
| Electrical Requirements: | North America Convertible Model (60 Hz): 120 VAC@15A with Supplied GFCI Cord or 240 VAC@30A or 40A (Hard Wired Only); Export (50 Hz): 230-240 VAC@1x16A, 1x32A or 2 out of 3-phase (see manual); or Suitably Rated Circuit Breaker to Comply with Local Electrical Regulations. Certain Countries May Require 2 Power Inputs; Two GFCI/ RCD Breakers are Required for This Configuration. | |
| Limited Warranty*: | North America (60 Hz): 5 Years Shell, 3 Years Shell Surface, 3 Years Plumbing Component Leaks, 3 Years Equipment and Controls, 1 Year Cabinet, 1 Year Jets Export (50 Hz): 5 Years Shell, 3 Years Shell Surface, 3 Years Plumbing Component Leaks, 3 Years Equipment and Controls, 1 Year Cabinet, 1 Year Jets | |
| Alternative Insulation (Standard): .. | Yes (Insulation Panels) | |
| Waterfall Feature: | None | |
| Audio System (Optional): | N/A | |
| Special Features (Optional): | Factory Installed SmartTub® module | |

*(See Warranty Document for Specific Details)

Dimensions/Specifications Subject To Change Without Notice

Sundance Spas 680 Alicia

Operation/Seat Depths



(A) Air control - Activates All Jets

- Jets Pump 1: Powers All Jets when running

21 Total Jets



SL Jets (8)



SLR Jets (9)



SL3R Jets (4)

Spa Operation Subject To Change Without Notice

SEAT DEPTHS

A = 25.86" (65.72 cm)

B = 27.00" (68.58 cm)

C = 24.25" (61.60 cm)

D = 27.75" (70.49 cm)

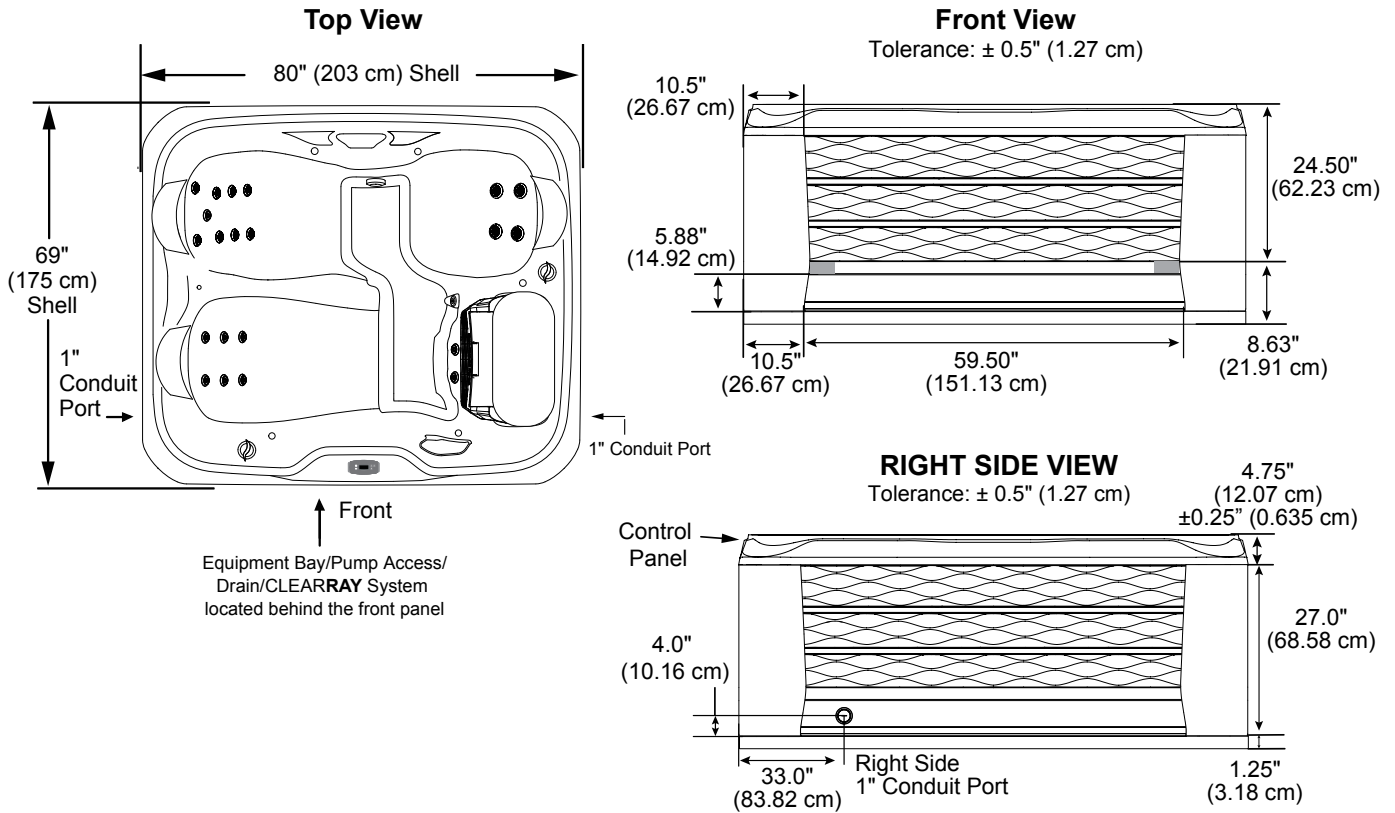
Listed dimensions represent distance from top of acrylic to lowest point in seat. Tolerance $\pm 0.5"$ (1.27 cm).



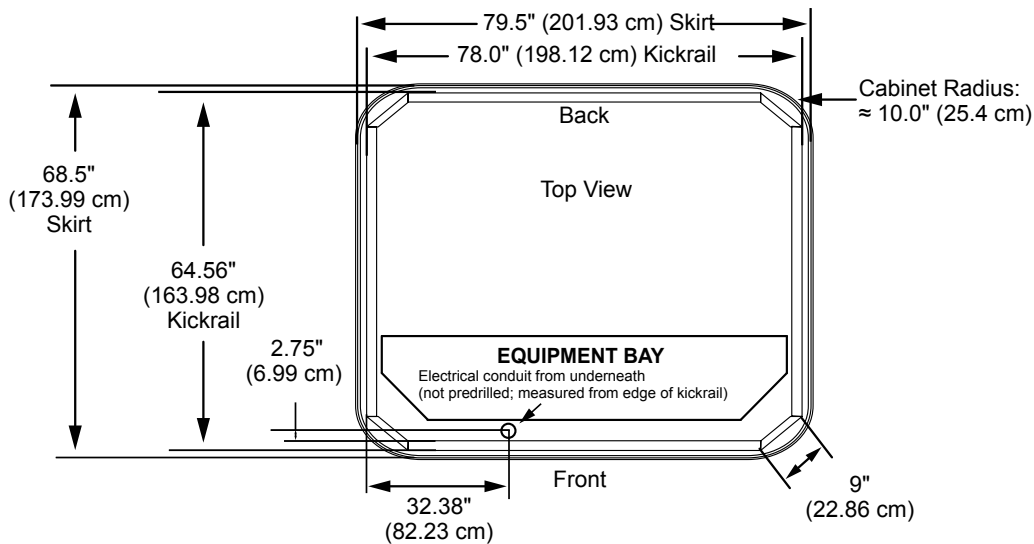
Dimensions/Specifications Subject To Change Without Notice

Sundance Spas 680 Alicia

Portable Dimensions



IMPORTANT! Always measure each hot tub for exact dimensions BEFORE designing its foundational support and/or decking.



Dimensions/specifications subject to change without notice. Tolerance: $\pm 0.5"$ (1.27 cm)

Dimensions/Specifications Subject To Change Without Notice