


# Sundance® Spas 680™ McKinley™

## Specifications

<b>Dimensions:</b> .....	89" x 89" x 36" (226 cm x 226 cm x 91.44 cm)	
<b>Perimeter</b> .....	356" (904.2 cm)	
<b>Seating Capacity:</b> .....	6-7 Adults	
<b>Dry Weight:</b> .....	778 lbs (357 kg)	
<b>Filled Weight (Spa Volume):</b> .....	5,166 lbs (2,343 kg)	
<b>Filled Weight (Average Fill):</b> .....	4,123 lbs (1,870 kg)	
<b>Water Capacity (Spa Volume):</b> .....	525 US Gal (1,987 Liters)	
<b>Water Capacity (Average Fill):</b> .....	400 US Gal (1,514 Liters)	
<b>Controls:</b> .....	Solid-State Electronic Controls with LCD Readout, Programmable Water Temperature, Filtration, and Heat Cycles	
<b>Water Delivery:</b> .....	2 High Flow Pumps	
<b>Pump 1:</b> .....	North America (60 Hz): 2-Speed/2.5 HP Continuous, 11.0A Max., 56 Frame <b>Export (50 Hz): 2-Speed/2.0 HP continuous, 8.0A max.</b>	
<b>Pump 2:</b> .....	North America (60 Hz): 1-Speed/2.5 HP Continuous, 10.0A Max., 56 Frame <b>Export (50 Hz): 1-Speed/2.0 HP continuous, 8.0A max.</b>	
<b>Optional Pump 3:</b> .....	N/A	
<b>Total Hydrojets:</b> .....	<b>42</b>	
<b>Seat A Jets:</b> .....	2 - SL, 4 - SL3R	
<b>Seat B Jets:</b> .....	2 - SL5	
<b>Seat C Jets:</b> .....	2 - SL, 8 - SLR, 1 - SL3	
<b>Seat D Jets:</b> .....	1 - SL5	
<b>Seat E Jets:</b> .....	2 - SL, 6 - SL3	
<b>Seat F Jets:</b> .....	4 - SL3R, 2 - SL5R	
<b>Footwell Jets (G):</b> .....	8 - SL	
<b>Air Controls/Massage Selectors:</b> .....	2/None	
<b>Filter:</b> .....	75 ft <sup>2</sup> MicroClean® Mini™ Filter Cartridge System	
<b>Water Treatment:</b> .....	Factory installed CLEARRAY® unit	
<b>Lighting:</b> .....	LED Lighting System (Interior Surround); 2 Standard Exterior Lights	
<b>Cabinet:</b> .....	Available in Slate, Graphite	
<b>Shell Colors:</b> .....	North America: Platinum, Celestite, Monaco, Midnight, Porcelain <b>Export (50 Hz): All North America Colors</b>	
<b>Headrests:</b> .....	Four, 1-Piece Gray	
<b>Heater:</b> .....	North America (60 Hz): 5.5 kW, 240V High Flow Standard <b>Export (50 Hz): 2.7 kW High Flow Standard</b>	
<b>Electrical Requirements:</b> .....	240 VAC, 60 Hz@40A, 50A or 60A <b>Export (50 Hz): 230-240 VAC@1x16A, 1x32A or 2 out of 3-phase (see manual); or Suitably Rated Circuit Breaker to Comply with Local Electrical Regulations. Certain Countries May Require 2 Power Inputs; Two GFCI/ RCD Breakers are Required for This Configuration.</b>	
<b>Limited Warranty*</b> .....	North America (60 Hz): 5 Years Shell, 3 Years Shell Surface, 3 Years Equipment and Controls, 3 Years Plumbing Component Leaks, 1 Year Cabinet, 1 Year Jets <b>Export (50 Hz): 5 Years Shell, 3 Years Shell Surface, 3 Years Plumbing Component Leaks, 3 Years Equipment and Controls, 1 Year Cabinet, 1 Year Jets</b>	
<b>Alternative Insulation (Standard):</b> .....	Yes (Insulation Panels)	
<b>Waterfall Feature:</b> .....	None	
<b>Audio System (Optional):</b> .....	N/A	
<b>Special Features (Optional):</b> .....	Factory Installed SmartTub® module	

\*(See Warranty Document for Specific Details)

Dimensions/Specifications Subject To Change Without Notice

# Sundance Spas 680 McKinley

## Operation/Seat Depths



**(A)** Air Control 1 - Activates Seat A Jets (2 - SL, 4 - SL3R) + Seat B Jets (2 - SL5) + Seat C (2 - SL, 8 - SLR, 1 - SL3) + Seat D Jet (1 - SL5) + Footwell Jets (4 - SL)

**(B)** Air Control 2 - Activates Seat E Jets (2 - SL, 6 - SL3) + Seat F (4 - SL3R, 2 - SL5R) + Footwell Jets (4 - SL)

- Jets Pump 1: Powers Seat A Jets + Seat B Jets + Seat C Jets + Seat D Jet + 4 Footwell Jets when running

- Jets Pump 2: Powers Seat E Jets + Seat F Jets + 4 Footwell Jets when running

### 42 Total Jets



SL Jets (14)



SLR Jets (8)



SL3 Jets (7)



SL3R Jets (8)



SL5 Jets (3)



SL5R Jets (2)

Spa Operation Subject To Change Without Notice

## SEAT DEPTHS

**A = 25.63" (65.09 cm)**

**B = 23.00" (58.42 cm)**

**C = 27.00" (68.58 cm)**

**D = 22.13" (56.20 cm)**

**E = 27.25" (69.22 cm)**

**F = 26.75" (67.95 cm)**

**G = 20.00" (50.80 cm)**

**H = 30.00" (76.20 cm)**

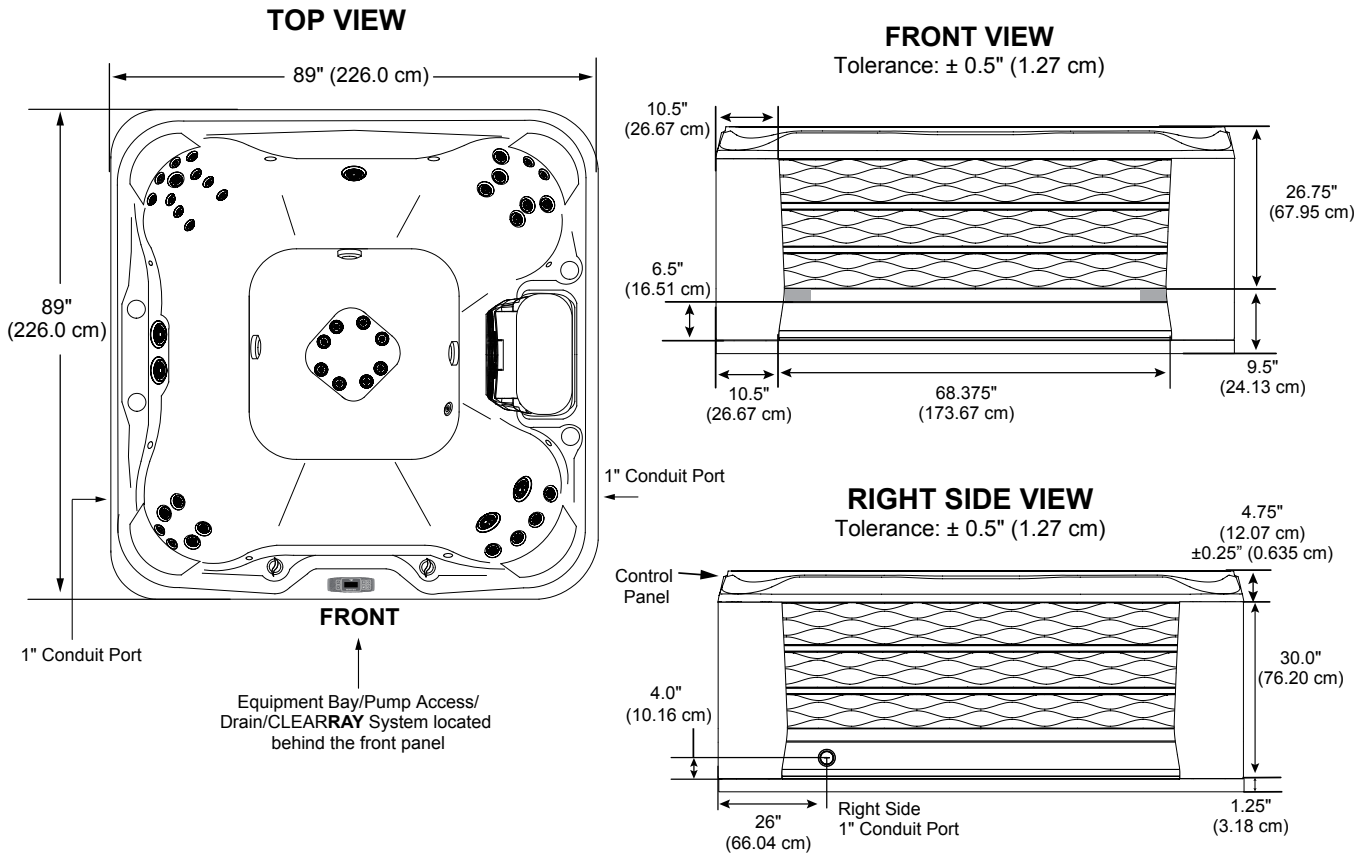
Listed dimensions represent distance from top of acrylic to lowest point in seat. **Tolerance ± 0.5" (1.27 cm).**



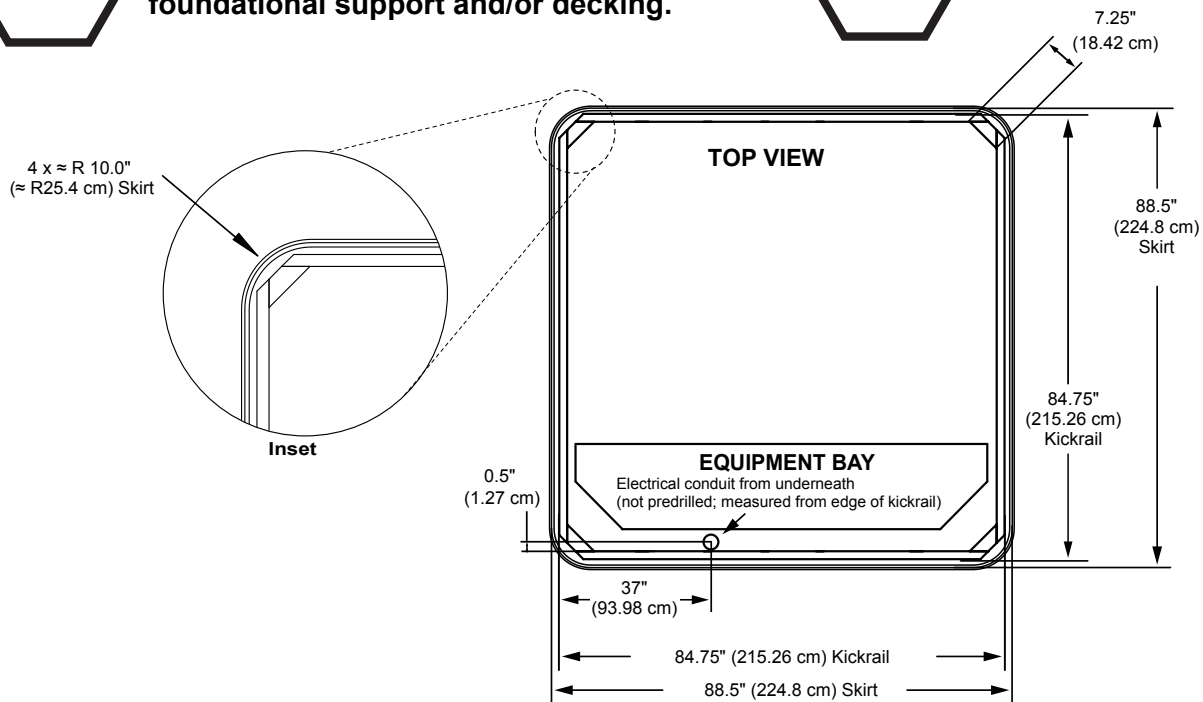
Dimensions/Specifications Subject To Change Without Notice

# Sundance Spas 680 McKinley

## Portable Dimensions



**IMPORTANT! Always measure each hot tub for exact dimensions BEFORE designing its foundational support and/or decking.**



Dimensions/specifications subject to change without notice. Tolerance:  $\pm 0.5"$  (1.27 cm)

Dimensions/Specifications Subject To Change Without Notice