

Sundance® Spas

Hot Tub Specification Handbook



Important Safety Instructions - All Models



©2021 Sundance® Spas, Inc. Sundance® Spas may make product modifications and enhancements. Therefore, specifications may change without notice. Dimensions are approximate and for reference only.



CAUTION: Always measure each hot tub for exact dimensions before designing its foundational support and/or decking.



When designing a foundational support, always account for the following load factors:

1. Filled hot tub weight, plus (+)
2. Combined occupant weight at maximum seating capacity, plus (+)
3. Weight of support decking, when applicable.



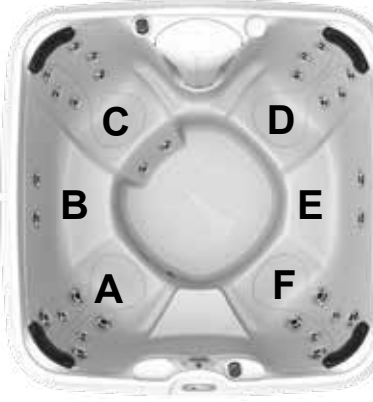
The technical data given in this publication is for reference purposes only. It implies no warranty of any kind.



Spa specifications, dimensions and operations are subject to change without notice.

Sundance® Splash™ Brook™ 30 Jets

Specifications

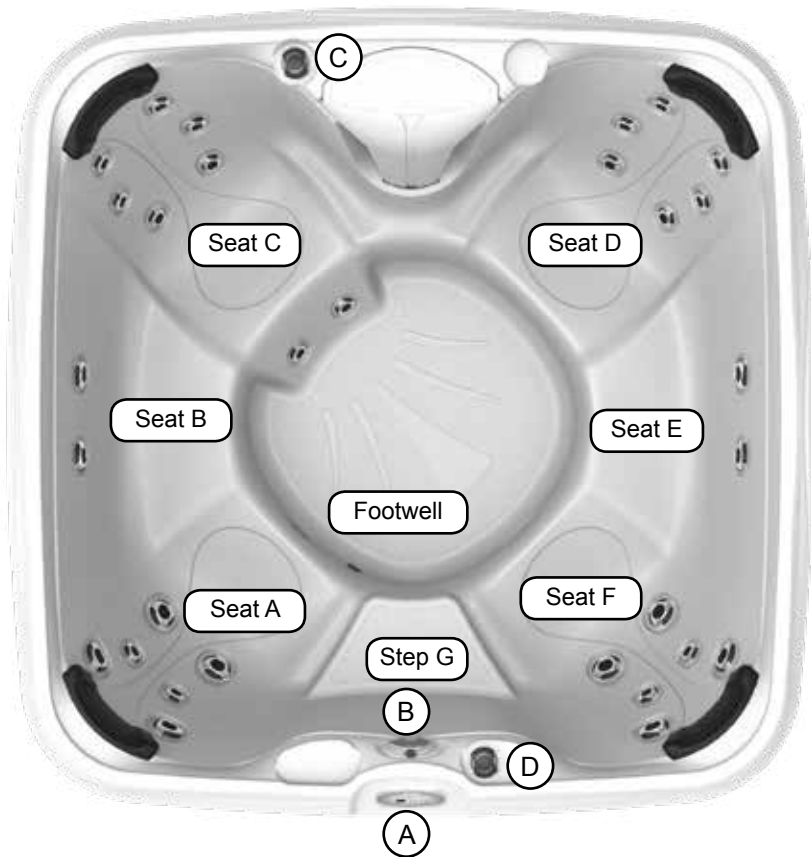
Seating Capacity	7 Adults	
Perimeter	312" (792.5 cm)	
Dimensions	78" x 78" x 36" (198 cm x 198 cm x 91 cm);	
Dry Weight	414 lbs (187 kg)	
Filled Weight (Spa Volume)	4,117 lbs (1,867 kg)	
Filled Weight (Average Fill)	3,150 lbs (1,429 kg)	
Water Capacity (Spa Volume)	444 US gallons (1,681 Liters)	
Water Capacity (Average Fill)	328 US gallons (1,242 Liters)	
Electronic Controls	Digital Touch Controller. Offers customizing of cleaning cycles and water temperature setting.	
Pump 1	North America (60 Hz): 2-Speed, 2.0 HP continuous Export (50 Hz): 2 kW, 2-Speed	
Pump 2	N/A Export (50 Hz): N/A	
Circulation Pump	N/A	
Total Jets	30	
Seat A Jets	4 DirectionalMax1 Jets, 2 DirectionalMax2 Jets	
Seat B Jets	2 DirectionalMax1 Jets	
Seat C Jets	8 DirectionalMax2 Jets	
Seat D Jets	6 DirectionalMax2 Jets	
Seat E Jets	2 DirectionalMax1 Jets	
Seat F Jets	4 DirectionalMax1 Jets, 2 DirectionalMax2 Jets	
Massage Selectors	N/A	
Air Controls	2	
Water Management System	One Easy Klean 30 ft ² filter cartridge; Optional factory installed Ozone Export (50 Hz): Optional factory installed Ozone	
LED Lighting	Multicolor waterfall light; Exterior corner light (white color only)	
Shell/Cabinet Colors	Mystic Sparkle, Tuscan Sparkle, Night Sparkle, Glacier Sparkle	
Headrests	4	
Waterfalls	One with independent flow rate (on or off) adjustment; powered by pump 1	
Heater:	Hi Flow 1.0kW/4kW Export (50 Hz): Hi Flow 3.0kW	
Electrical Requirements:	North America (60 Hz): Convertible 120 VAC@15A Export (50 Hz): 230-240V@1x16A, 1X32A	
Warranty*	North America (60 Hz): 5 Years Shell, 5 Years Shell Surface, 2 Years Plumbing Component Leaks, 2 Years Equipment and Controls, 5 Years Cabinet, 2 Years Jets, 1 Year Lights; Export (50 Hz): 5 Years Shell, 5 Years Shell Surface, 2 Years Plumbing Component Leaks, 2 Years Equipment and Controls, 2 Years Cabinet, 2 Years Jets, 2 Years Lights;	
Special Features	N/A	

*(See Warranty Document for Specific Details)

Dimensions/Specifications Subject To Change Without Notice

Sundance Splash Brook 30 Jets

Operation/Seat Depths



- (A) Topside Control - Activate Jet Pump, Light and Control Water Temperature
 - (B) Water Feature Control - Controls Water Feature Output.
 - (C) Air Control - Activates Seat A Jets (4 DirectionalMax1 Jets, 2 DirectionalMax2 Jets), Seat B Jets (2 DirectionalMax1 Jets), Seat C Jets (8 DirectionalMax2 Jets)
 - (D) Air Control - Activates Seat D Jets (6 DirectionalMax2 Jets), Seat E Jets (2 DirectionalMax1 Jets), Seat F Jets (4 DirectionalMax1 Jets, 2 DirectionalMax2 Jets)
- Jet Pump 1: All seats and footwell jets

30 Total Jets

DirectionalMax1
Jets (12)

DirectionalMax2
Jets (18)



Spa Operation Subject To Change Without Notice

SEAT DEPTHS

- A = 26.50" (67.30 cm)
- B = 24.75" (62.86 cm)
- C = 28.00" (71.12 cm)
- D = 28.00" (71.12 cm)
- E = 24.75" (62.86 cm)
- F = 26.50" (67.30 cm)
- G = 20.00" (50.80 cm)
- H = 34.50" (87.63 cm)

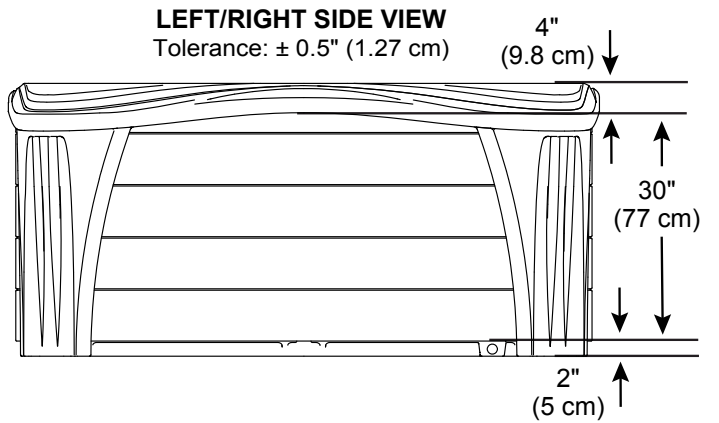
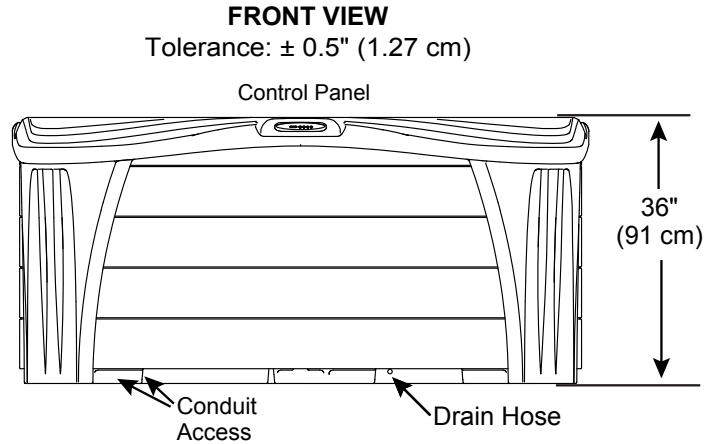
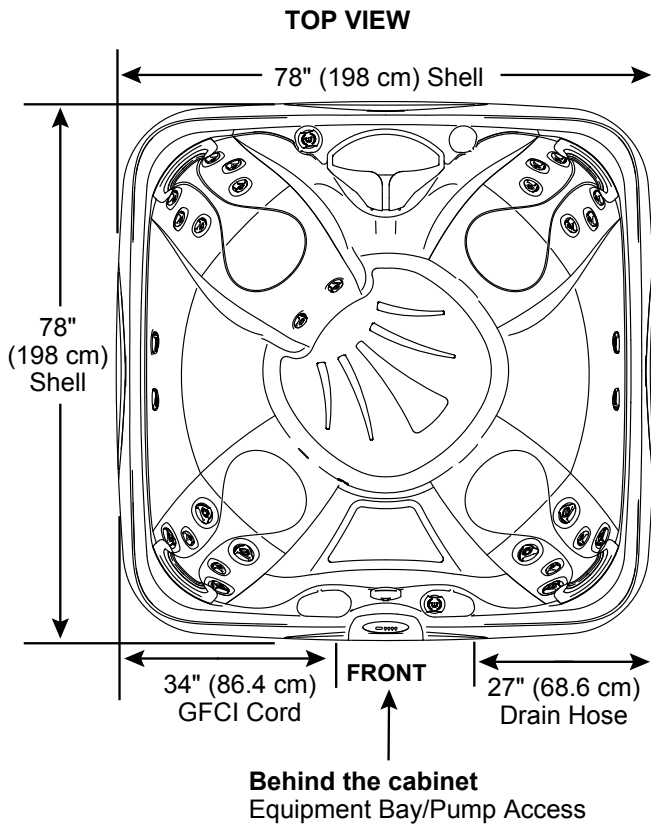
Listed dimensions represent distance from top of spa to lowest point in seat.
Tolerance: $\pm 0.5"$ (1.27 cm)



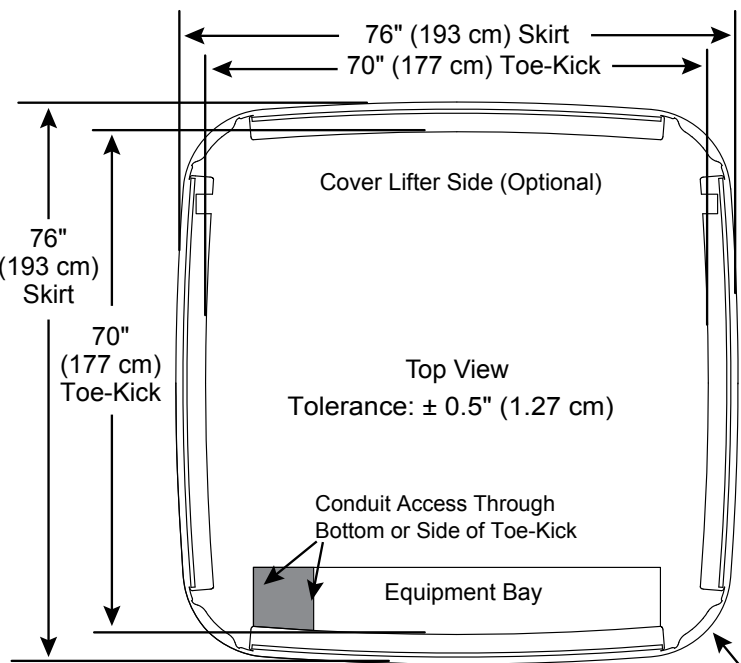
Dimensions/Specifications Subject To Change Without Notice

Sundance Splash Brook 30 Jets

Portable Dimensions



IMPORTANT! Always measure each hot tub for exact dimensions BEFORE designing its foundational support and/or decking.



Dimensions/specifications subject to change without notice. Tolerance: $\pm 0.5"$ (1.27 cm)

4 x $\approx R12.0"$
($\approx R30.5$ cm) Shell